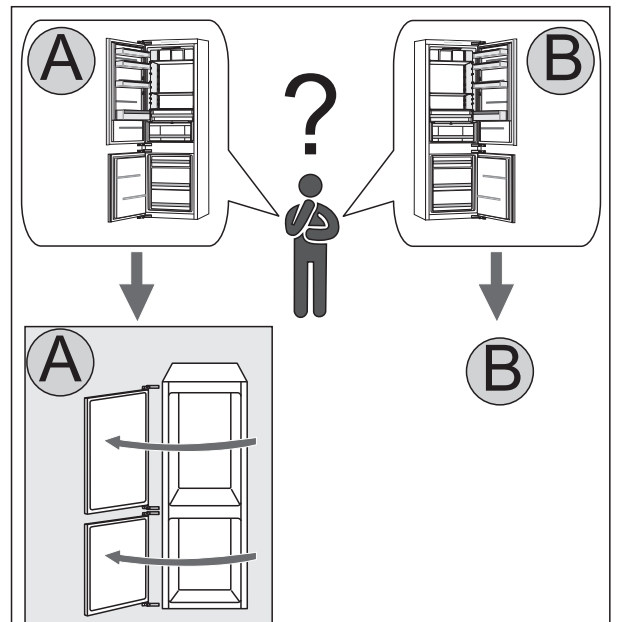
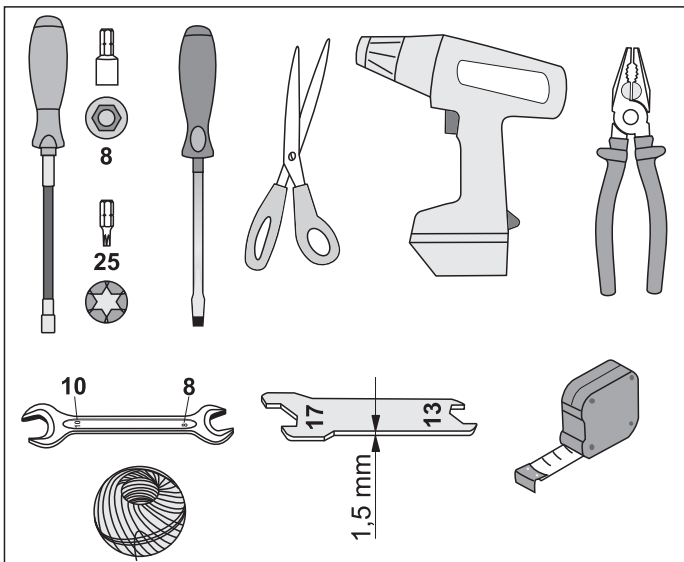
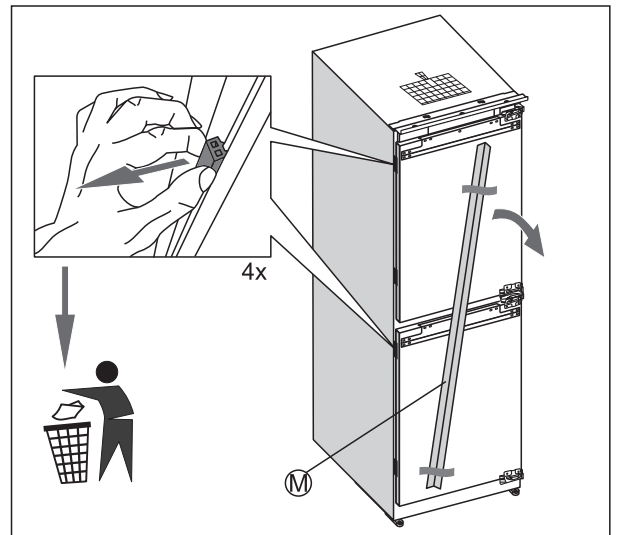
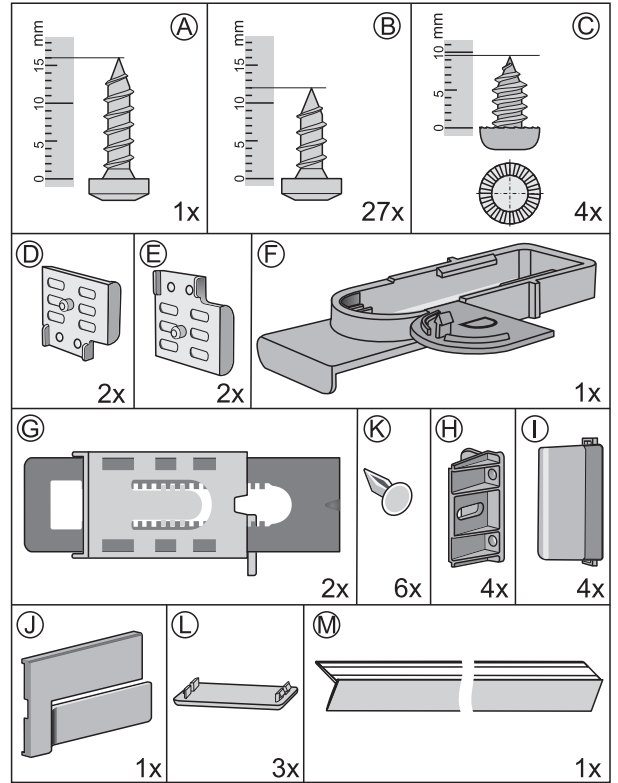
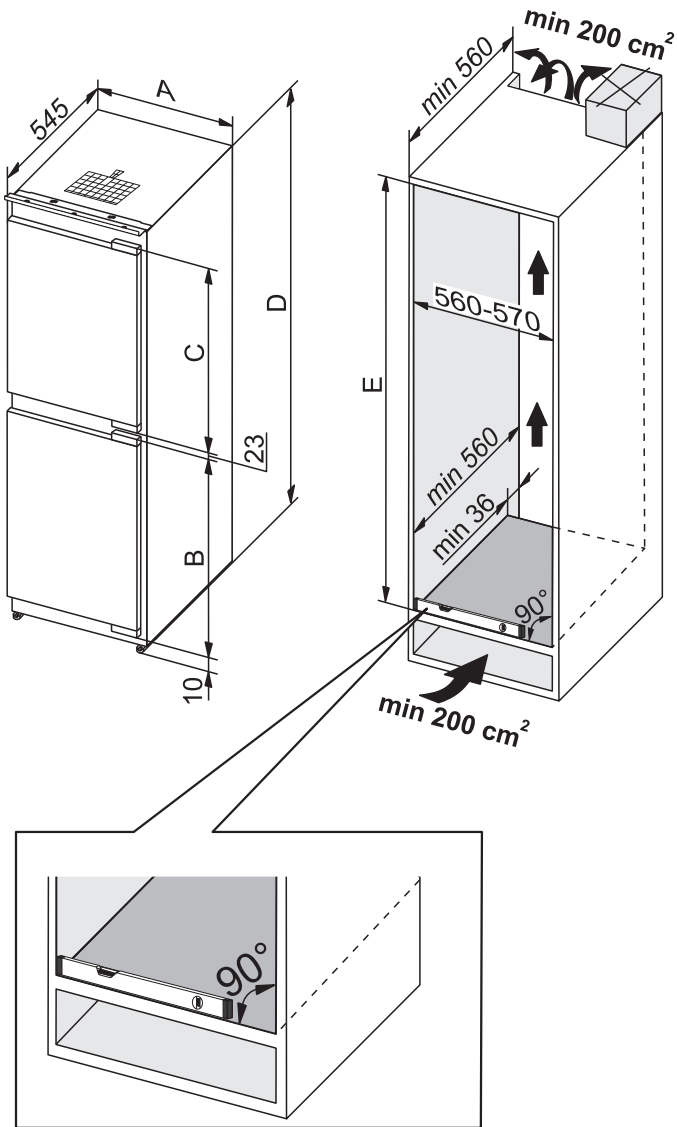


SI

NAVODILO ZA VGRADNJO

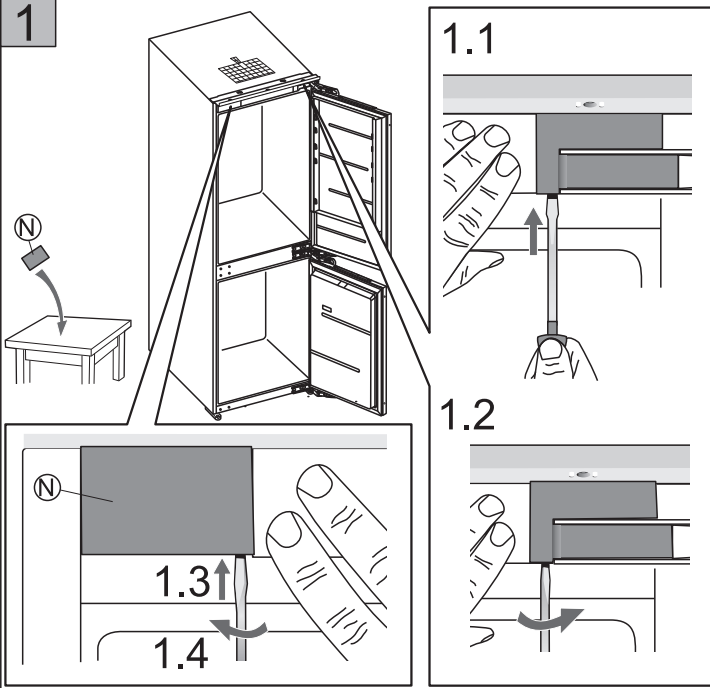


A (mm)	B (mm)	C (mm)	D (mm)	E (mm)
540	680	1033	1775	1775-1780
555	680	1033	1775	1775-1780

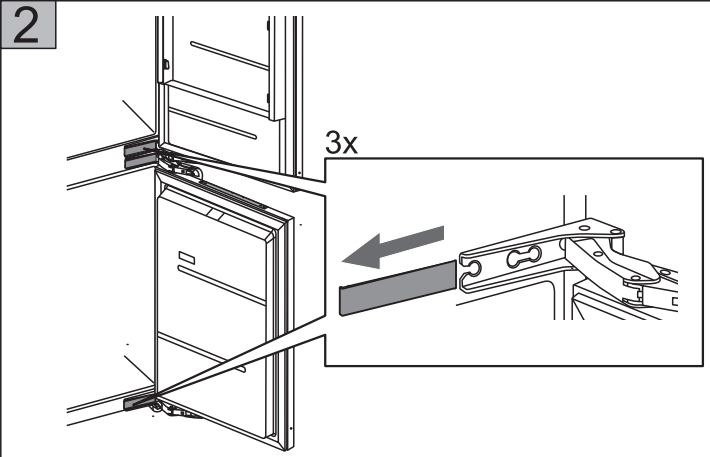


A

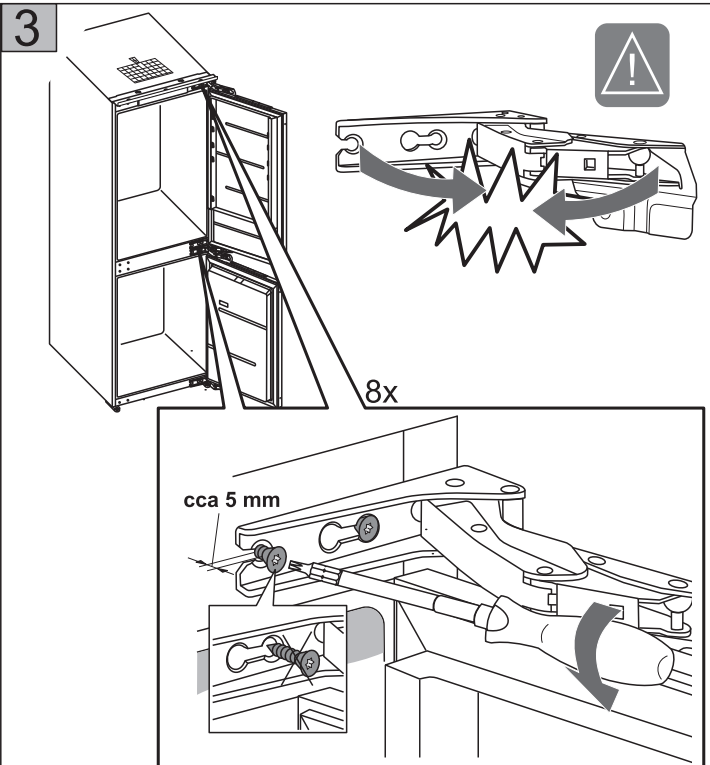
1



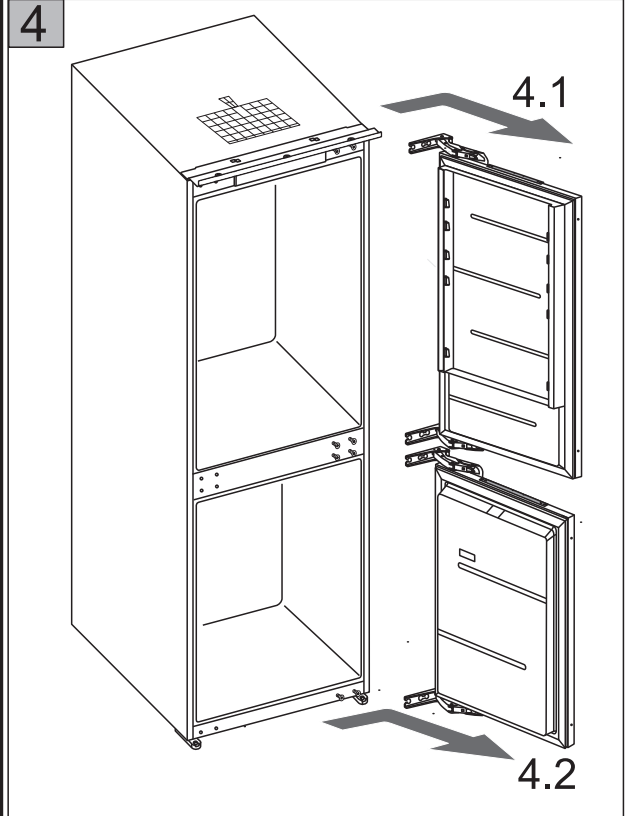
2



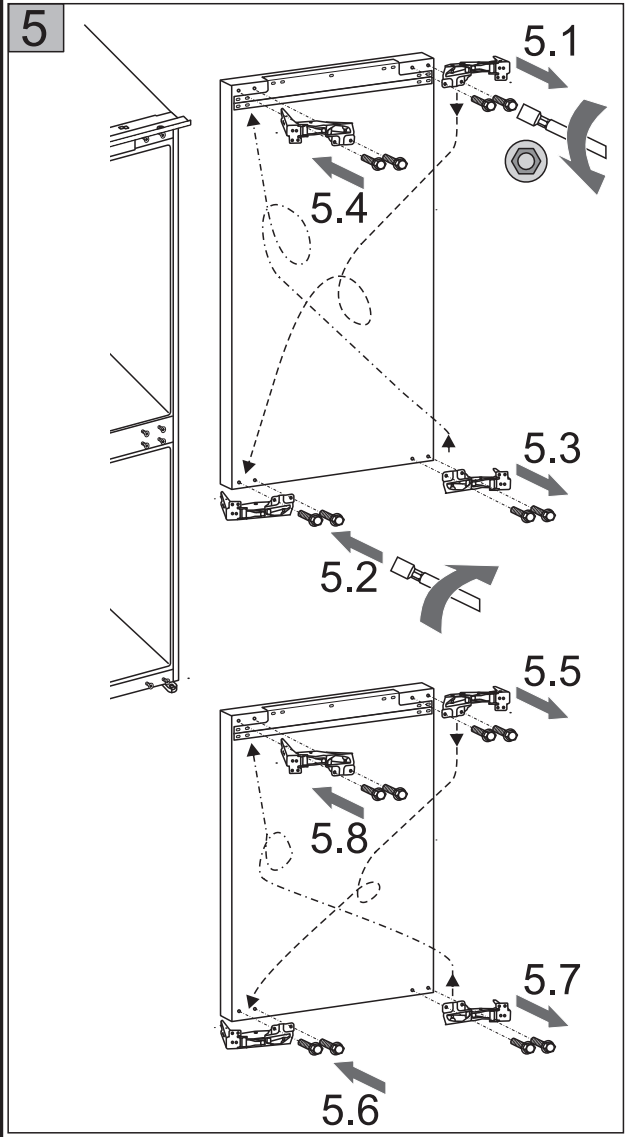
3

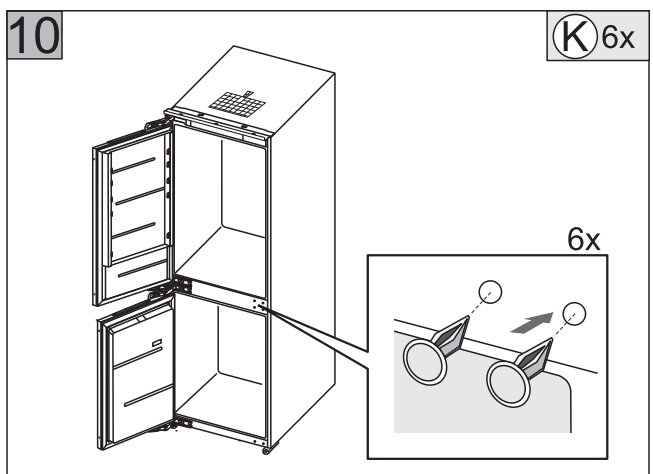
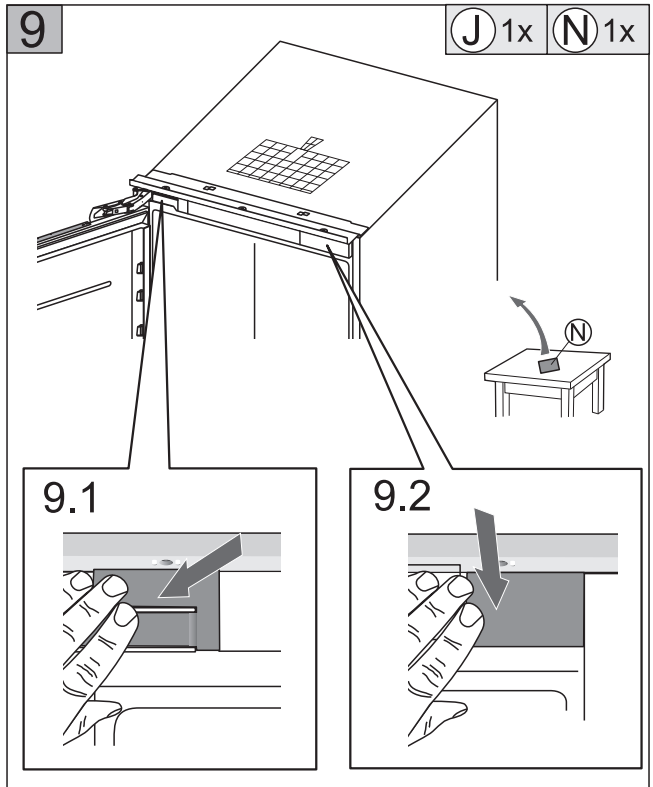
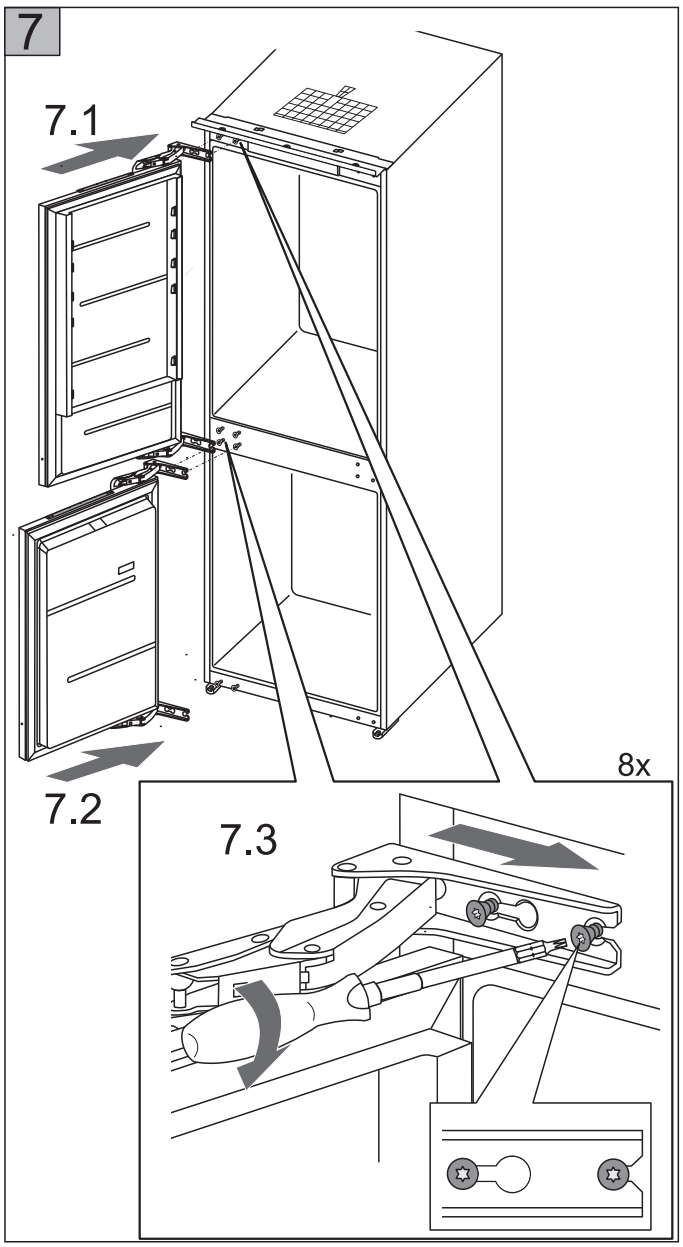
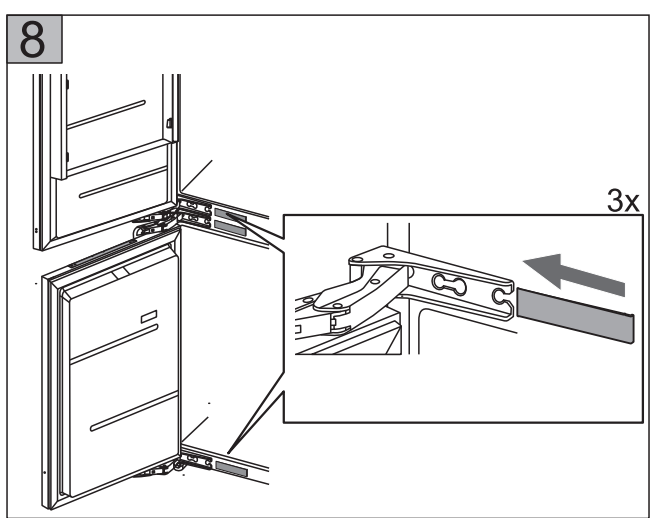
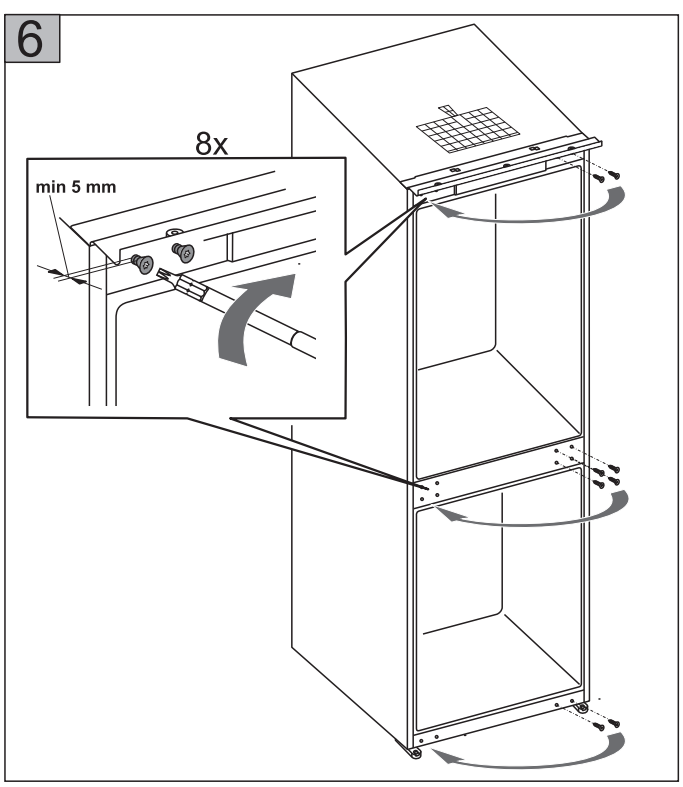


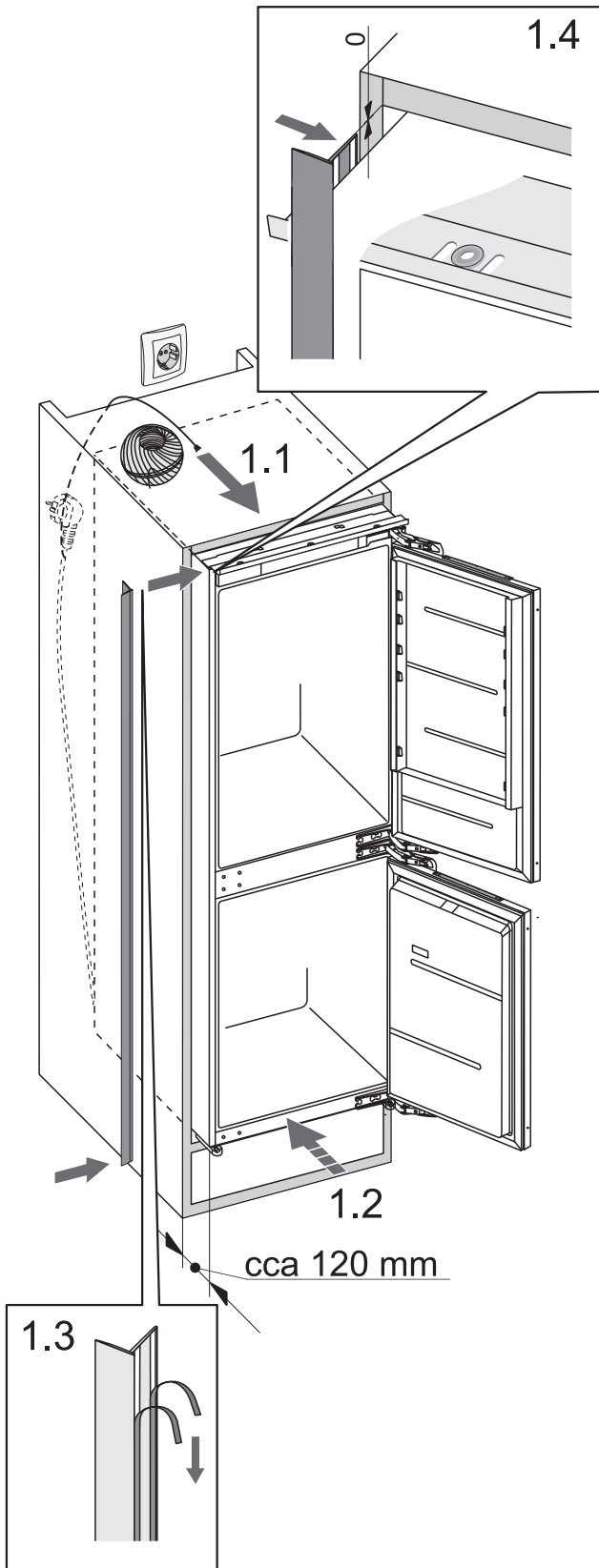
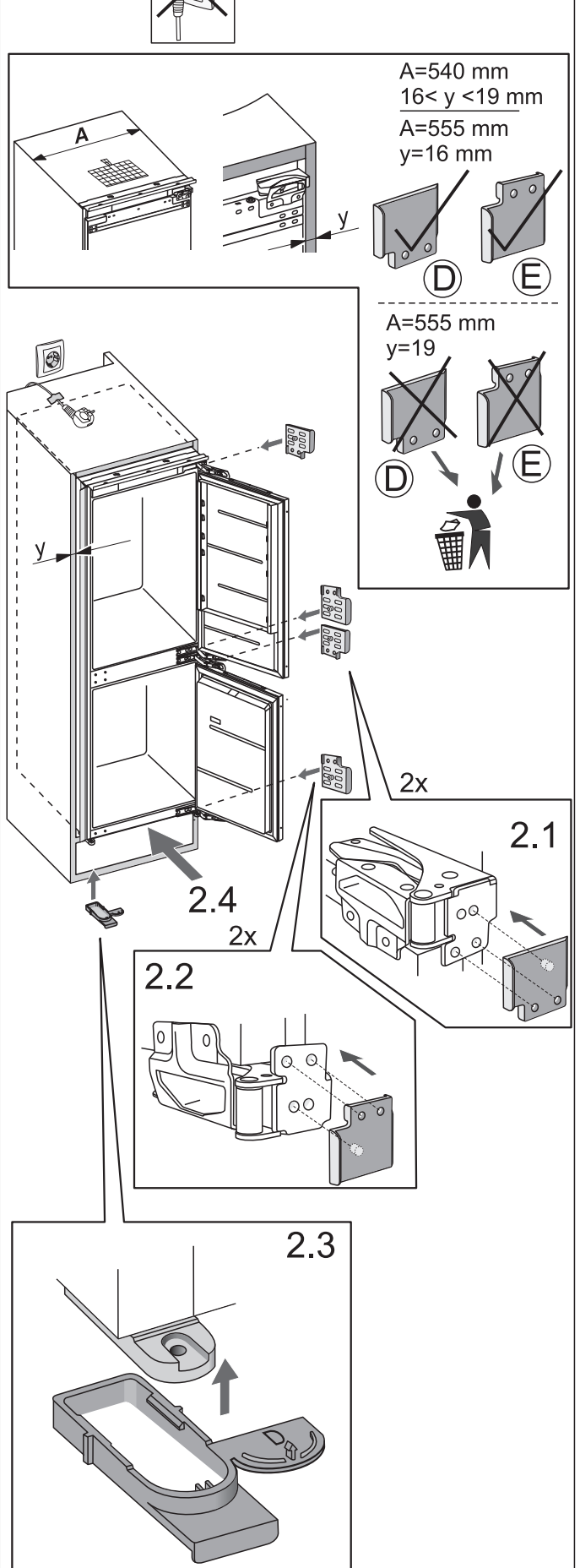
4



5

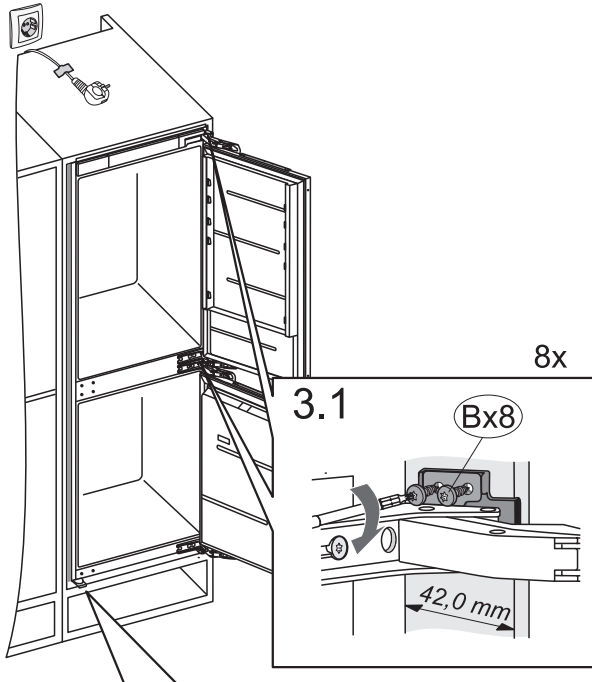




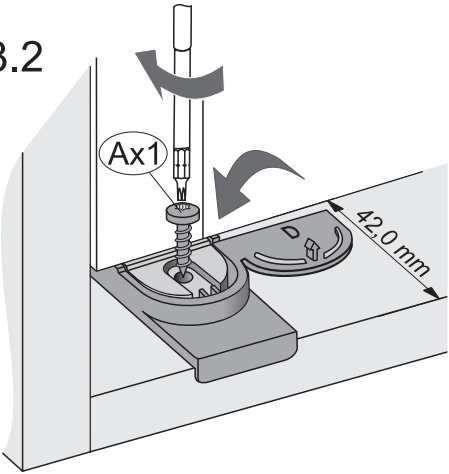
B**1****(M) 1x****2****(D) 2x (E) 2x (F) 1x**

3

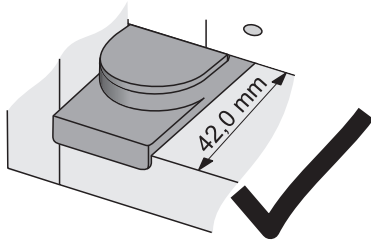
B 8x A 1x



3.2

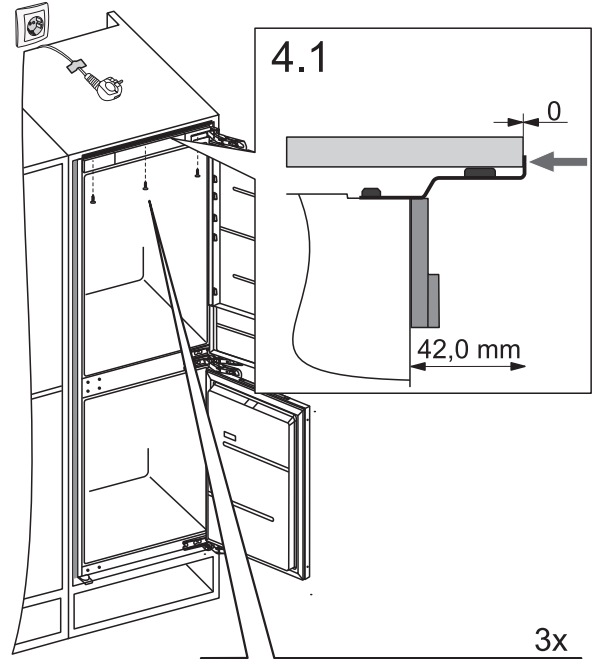


3.3

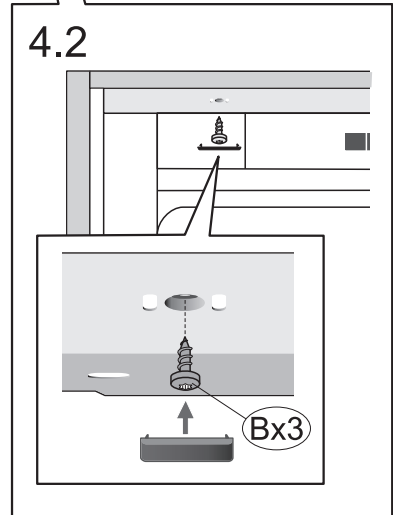


4

B 3x L 3x

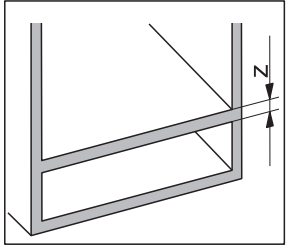


4.2



5

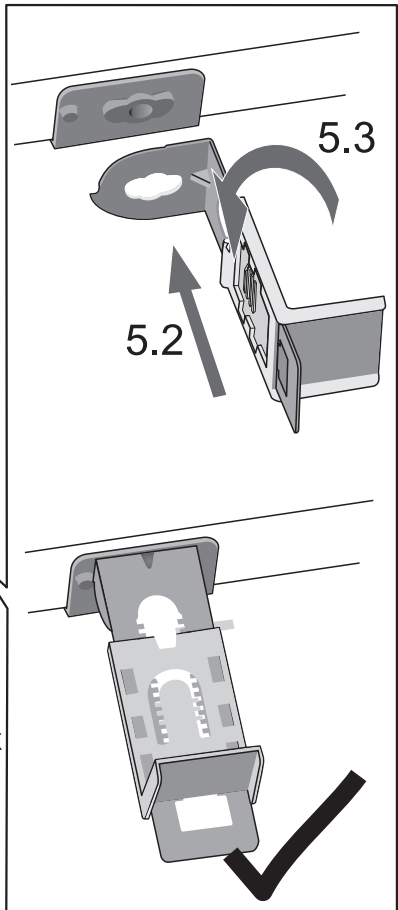
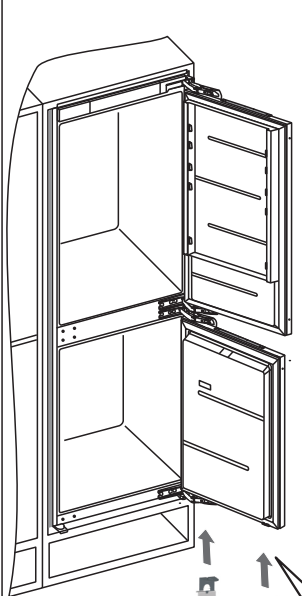
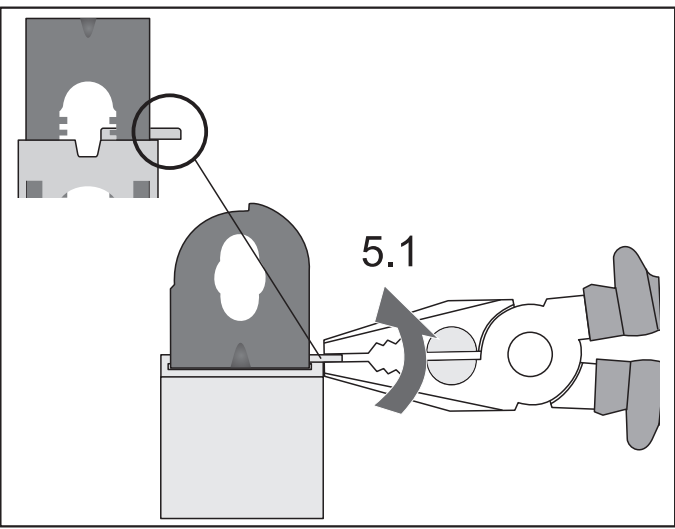
G 2x



18 < z < 19 mm

5.2

z = 16 mm

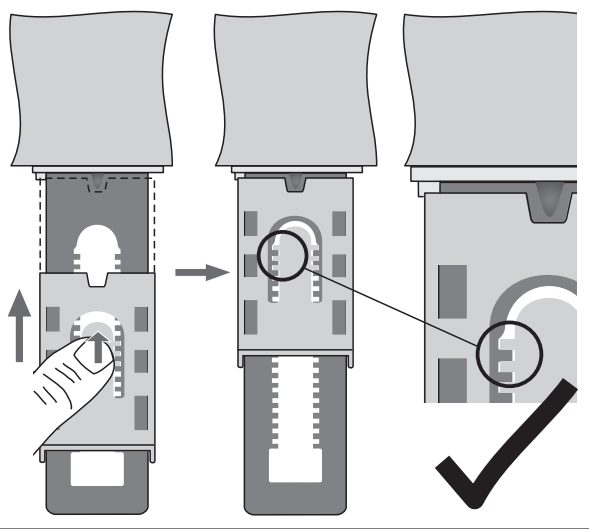


2x

6

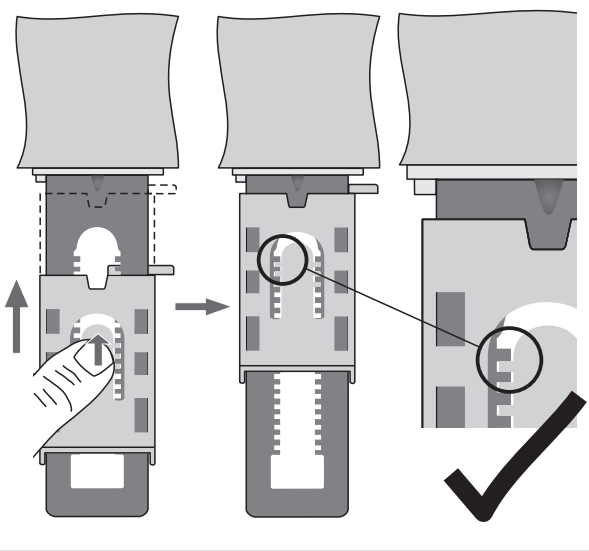
2x

6.1
z = 16 mm

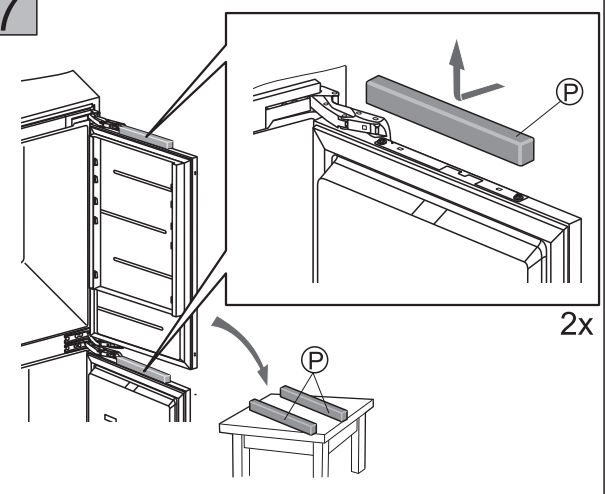


2x

6.2
18 < z < 19 mm

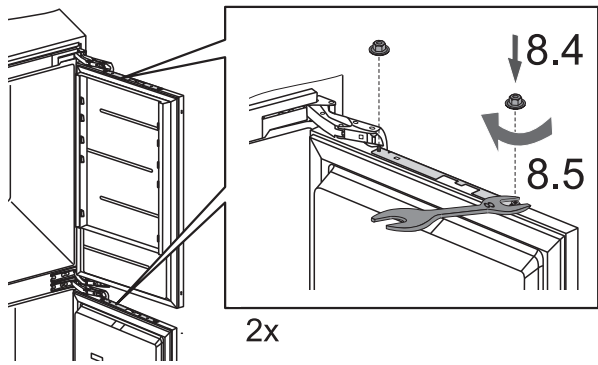
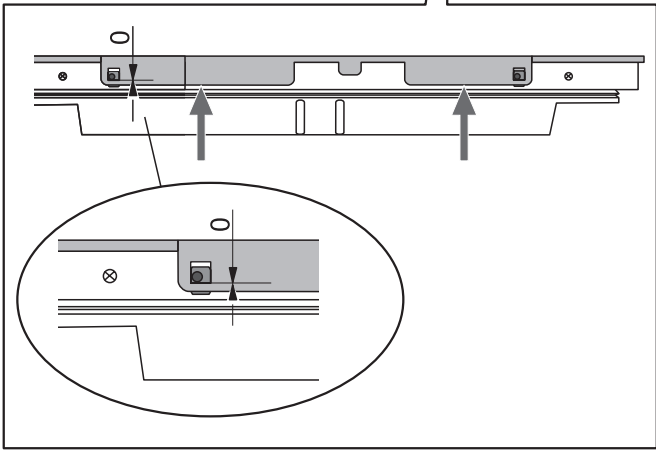
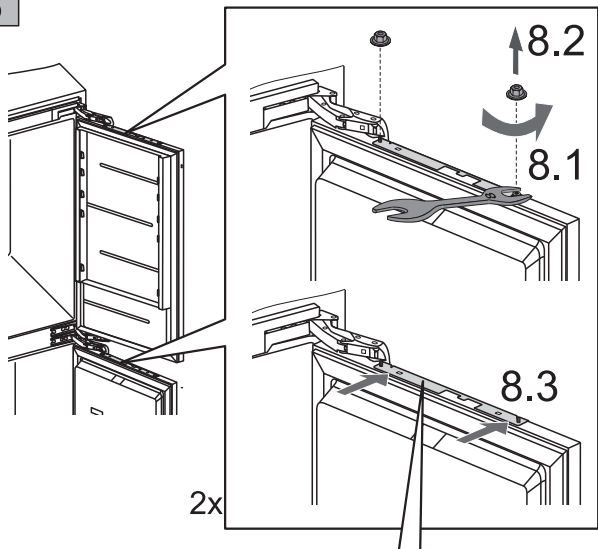


7

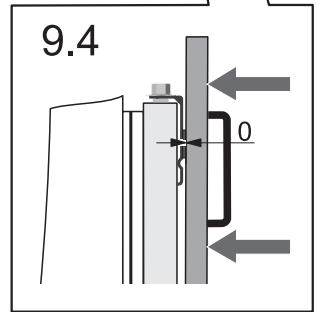
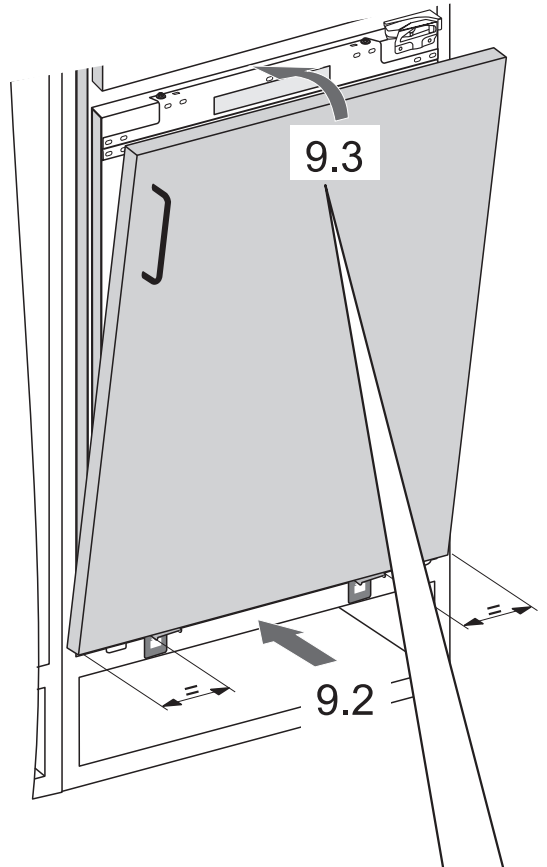
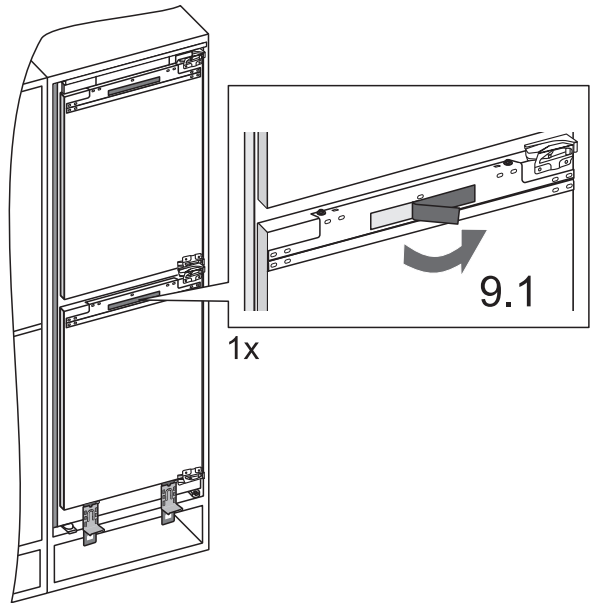


2x

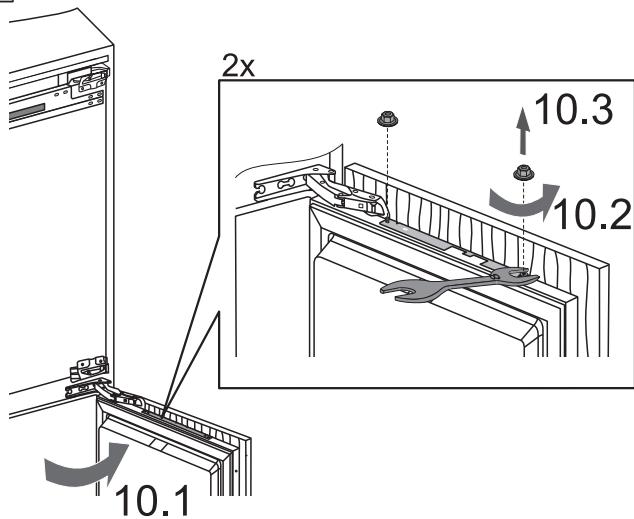
8



9

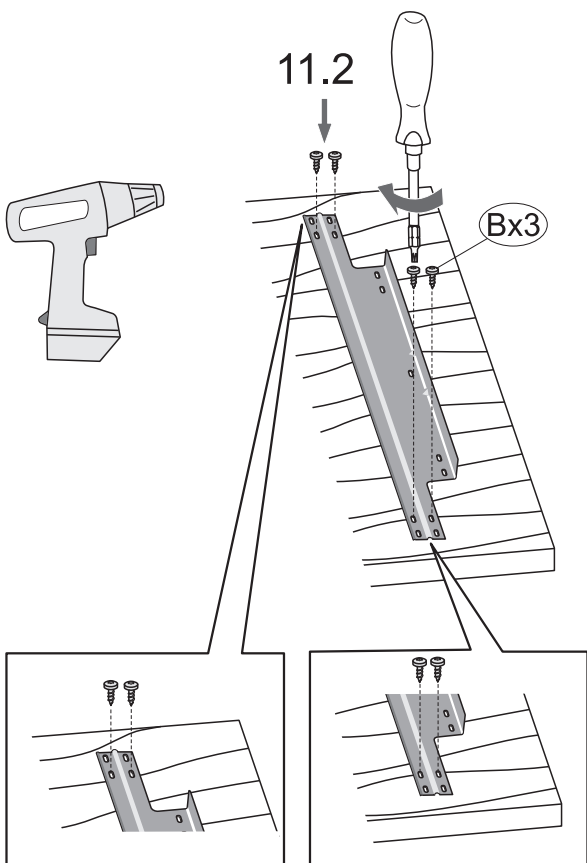
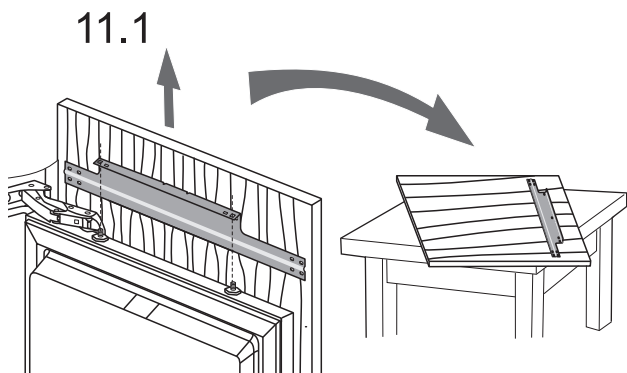


10

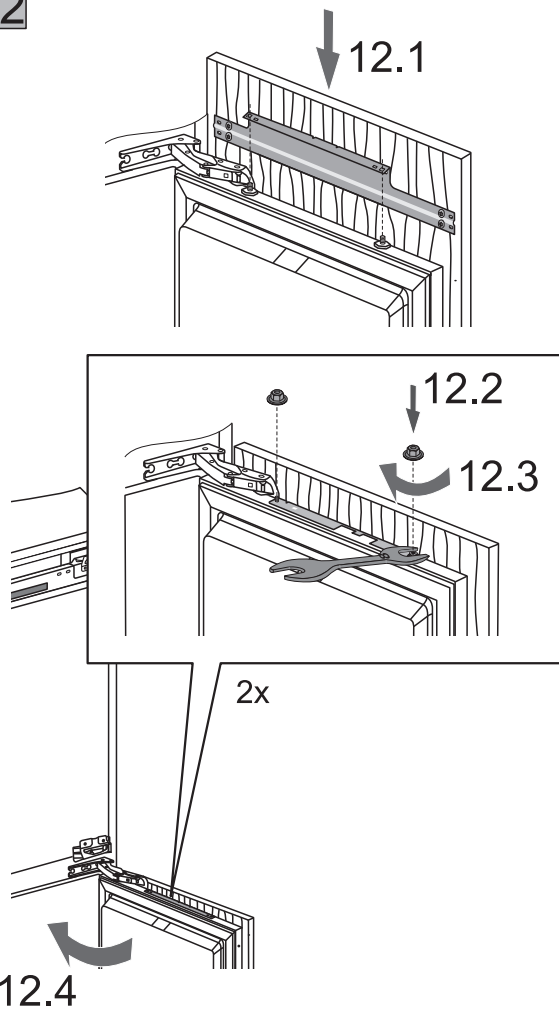


11

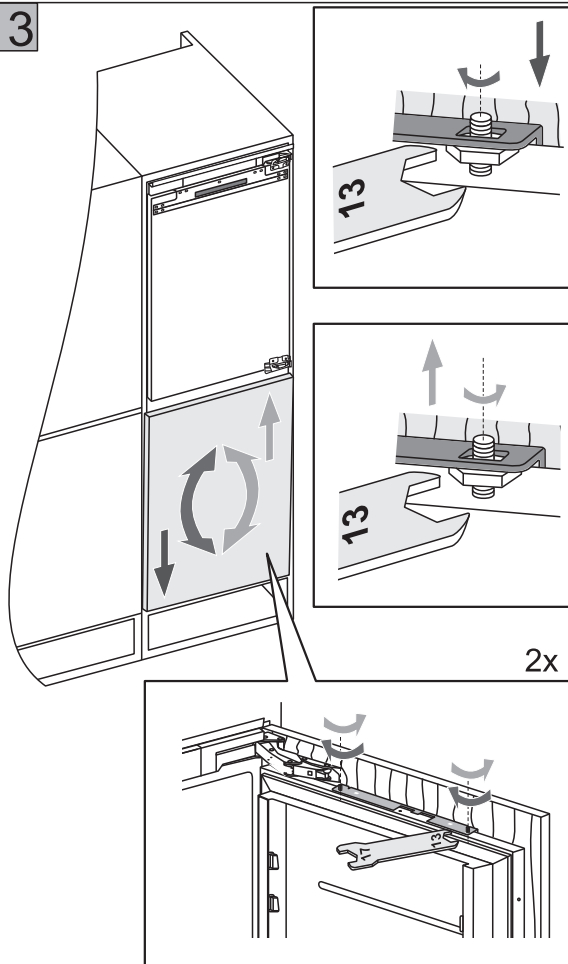
(B)4x



12

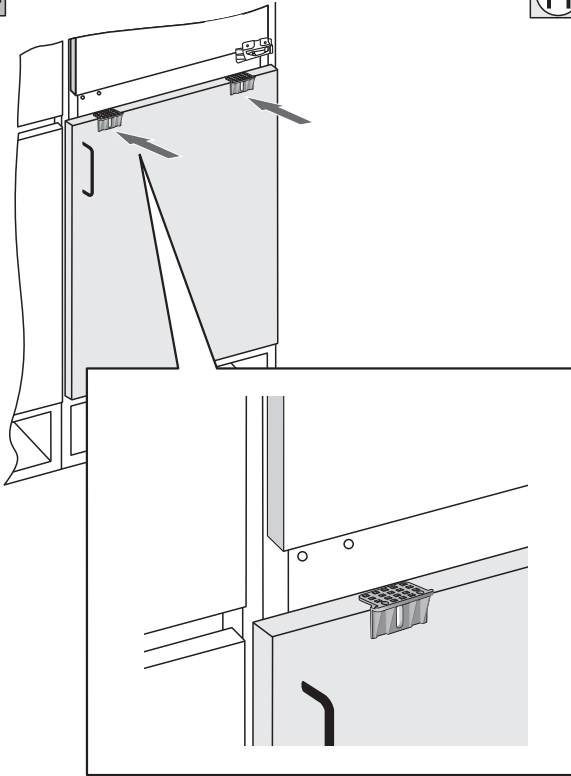


13

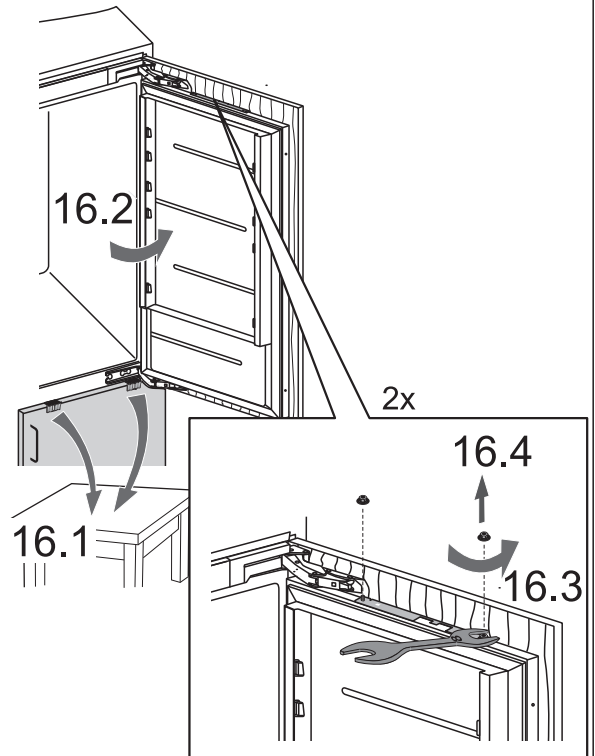


14

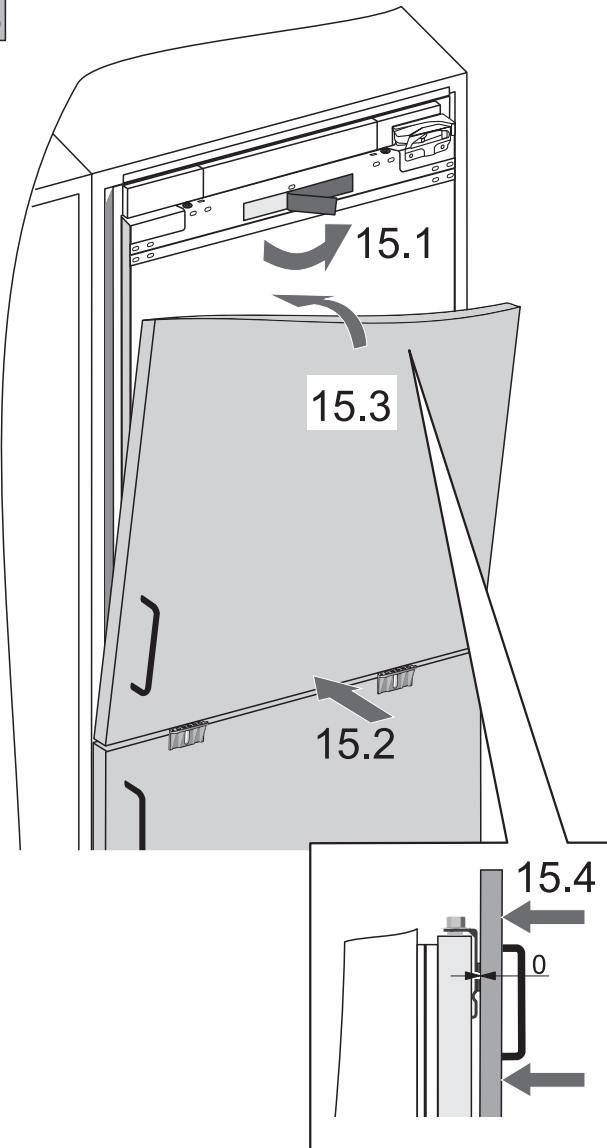
(H) 2x



16

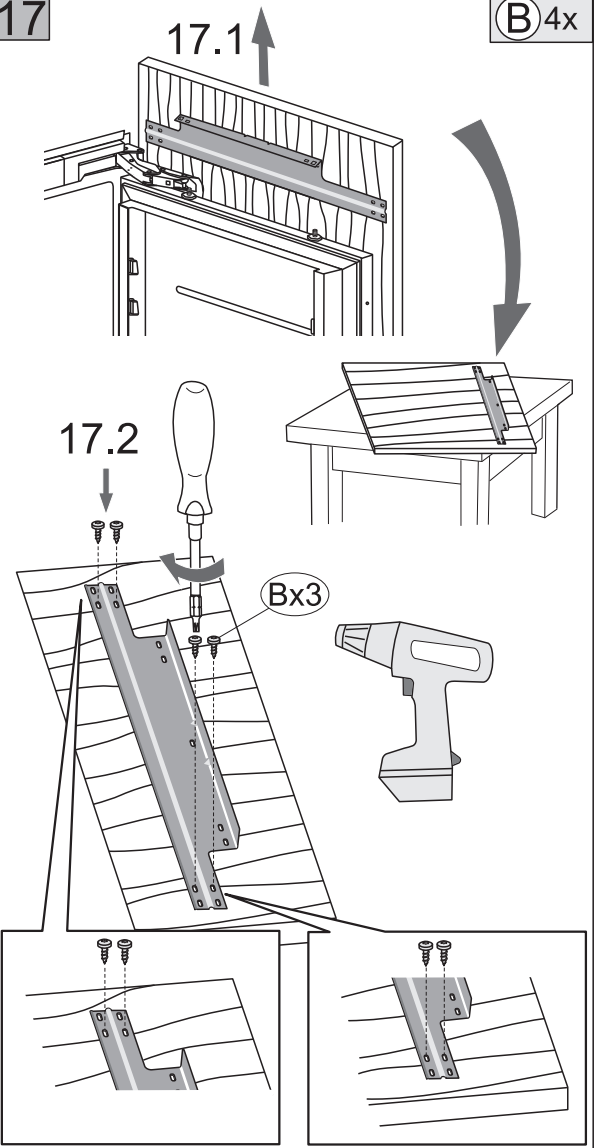


15

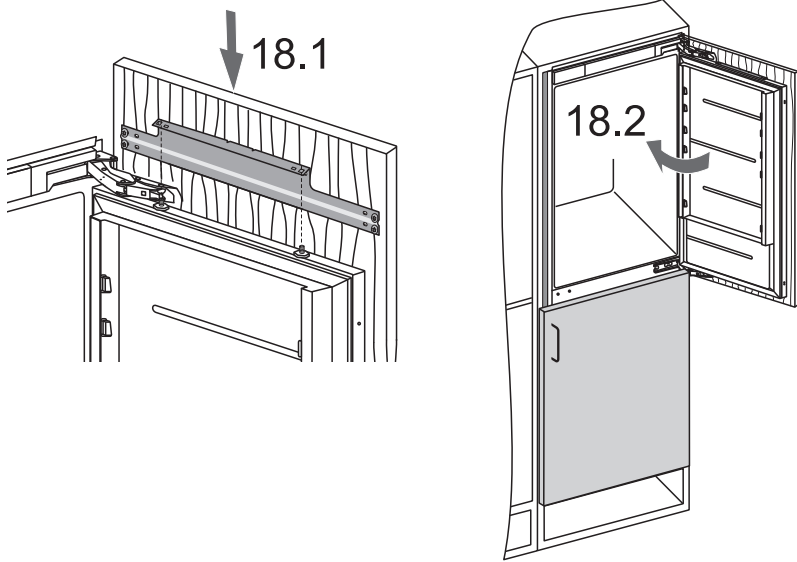


17

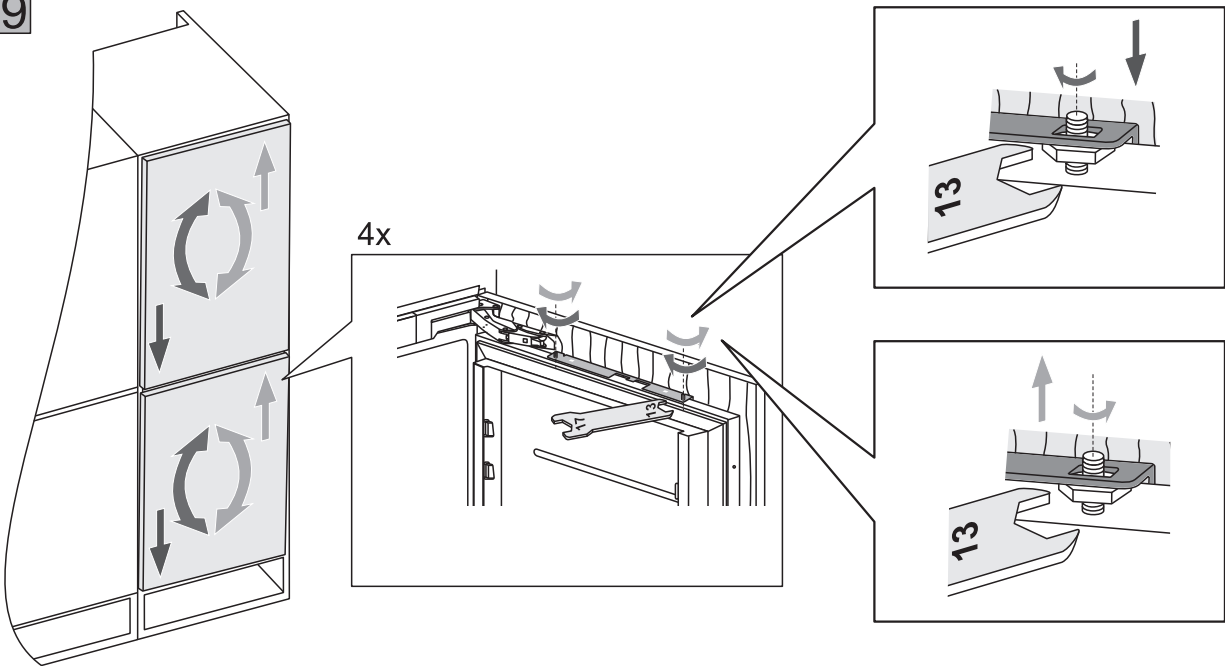
(B) 4x



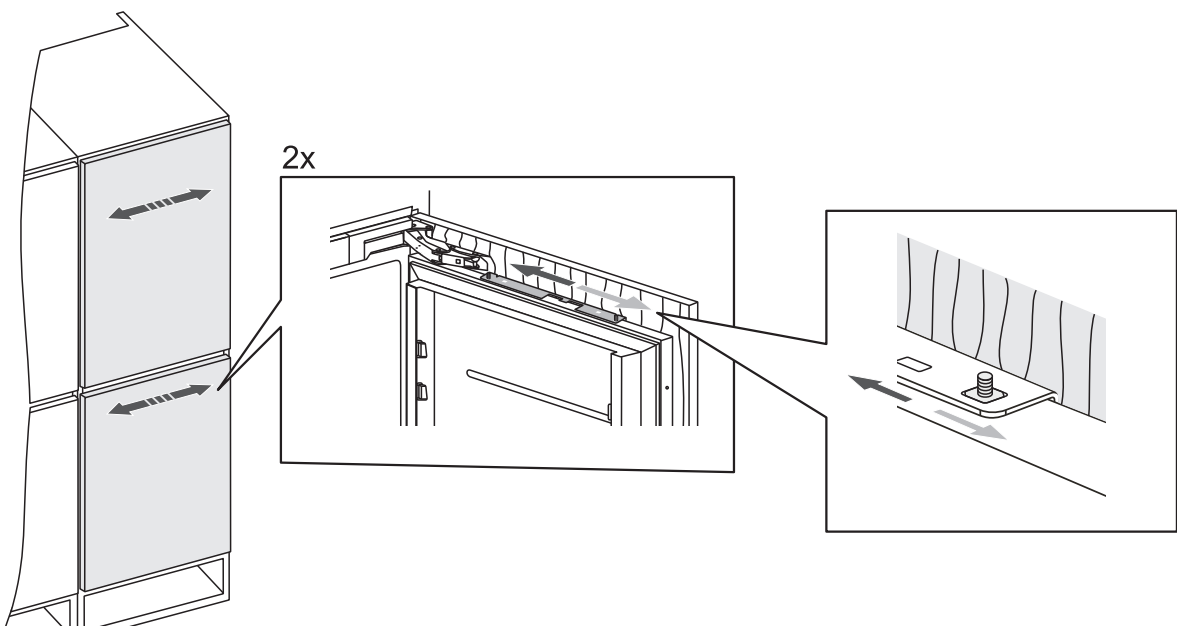
18



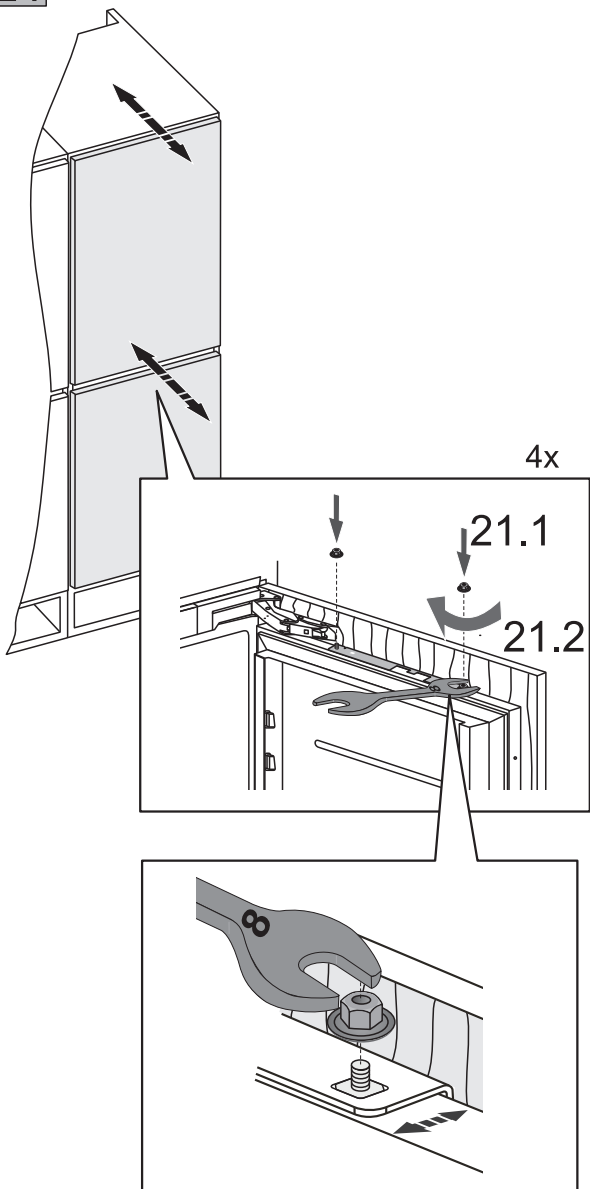
19



20

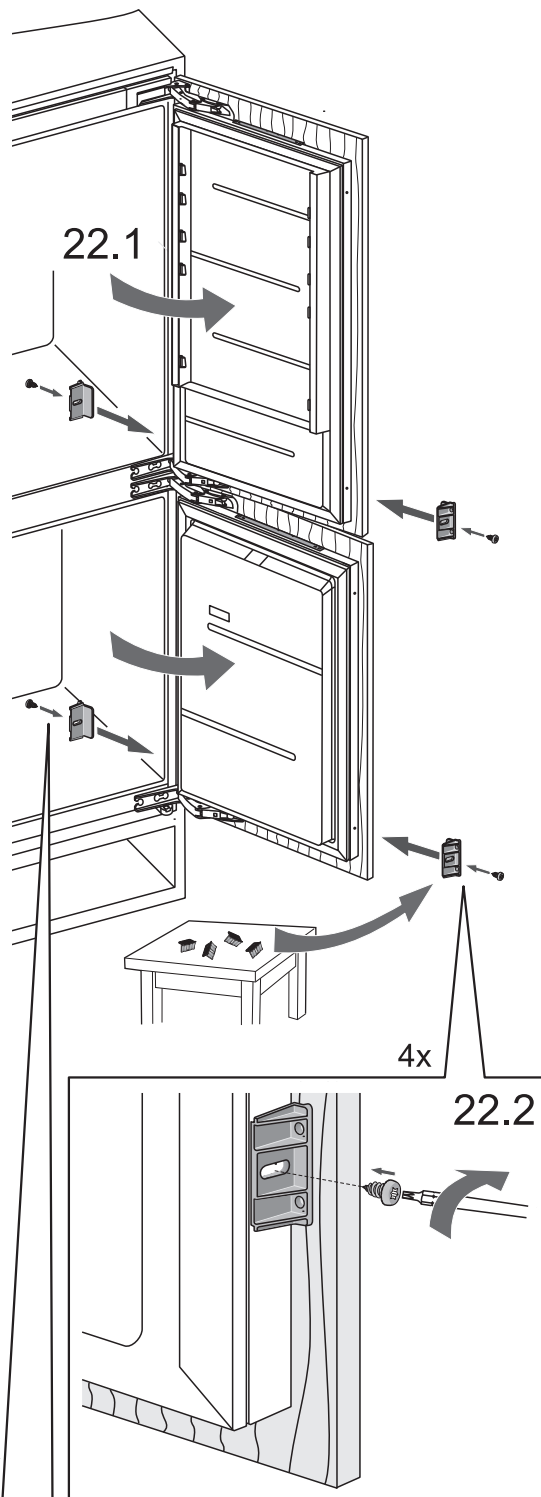


21

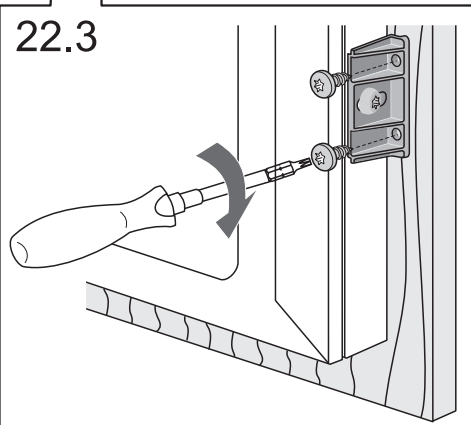


22

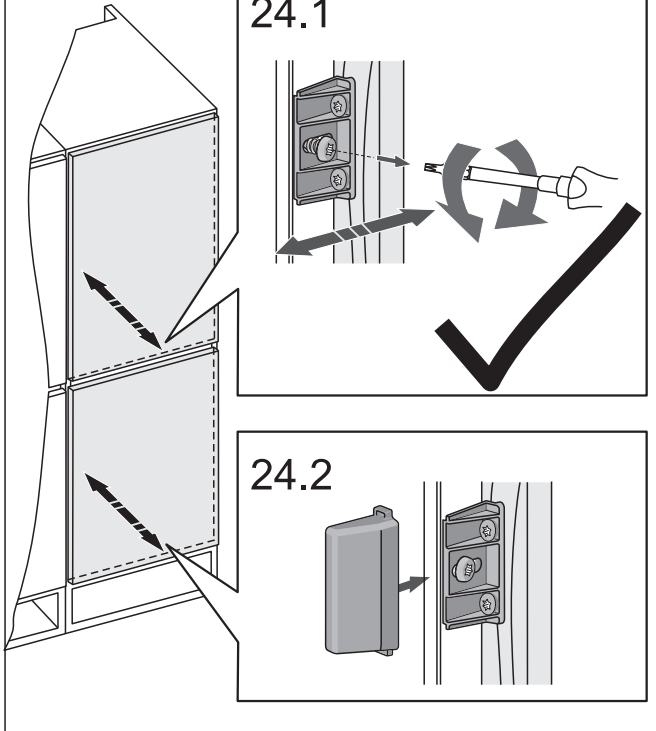
H 4x C 4x B 8x



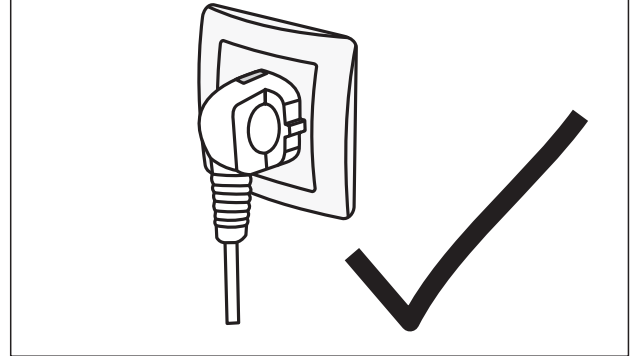
22.3



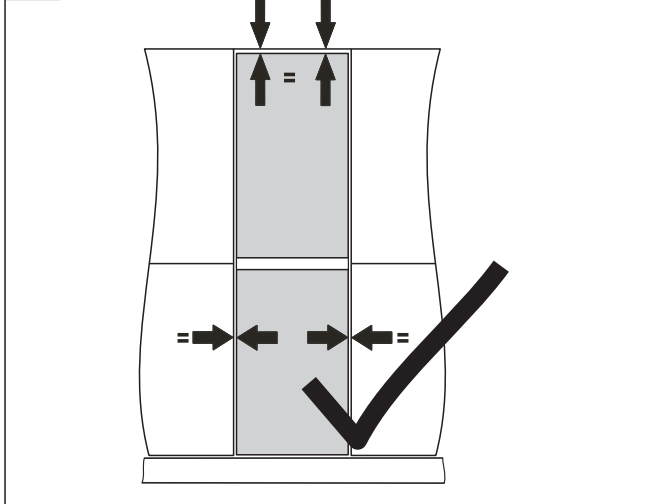
24



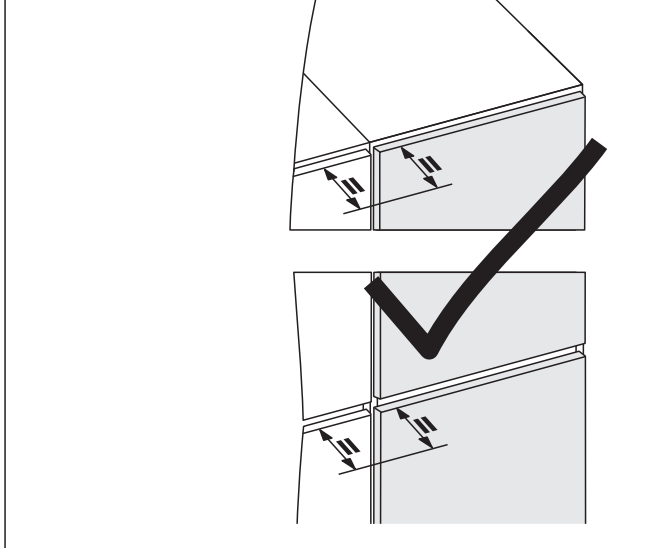
27



25



26



VGRADNJA COMBI BI540
ŠKARJASTI TEČAJ



un (11-16)